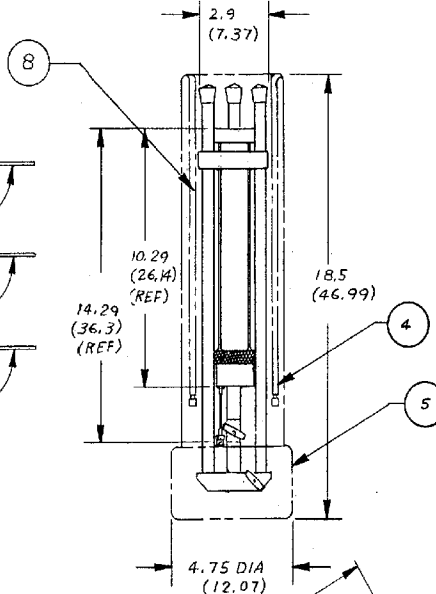
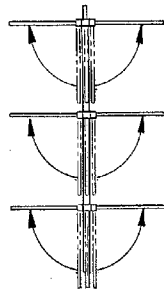
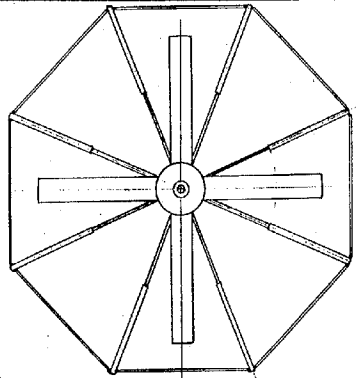


NOTICE OF PROPRIETARY RIGHTS

This document discloses subject matter in which Trivec-Avant Corporation, Huntington Beach, California has proprietary rights. Neither receipt nor possession thereof confers or transfers any right to reproduce or disclose the document, any part thereof, any information contained therein, or any physical article of device, or to practice any method or process except by written permission or written agreement with Trivec-Avant.

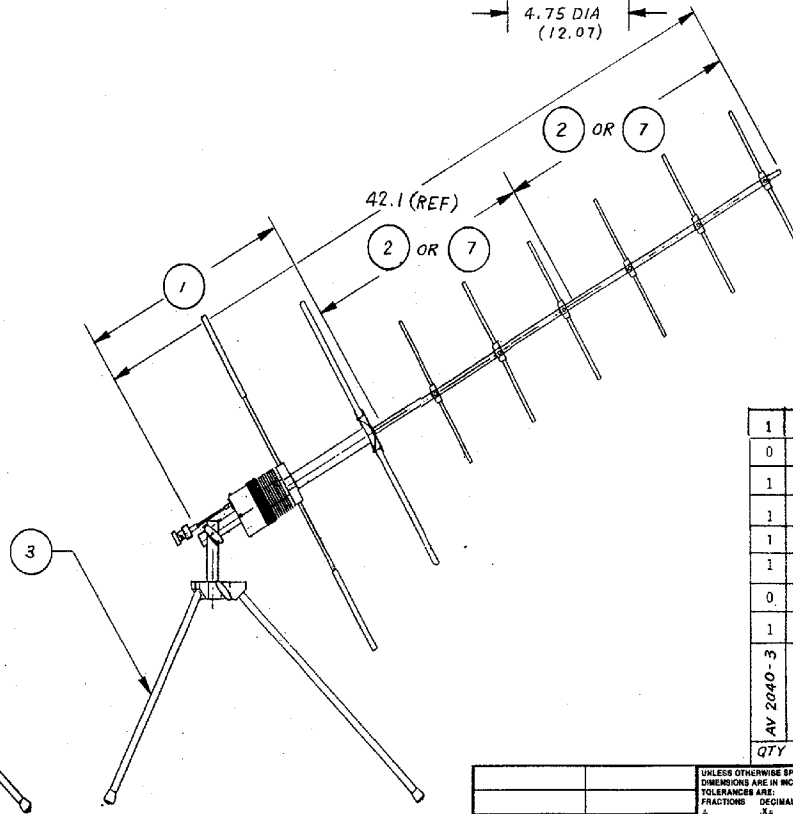
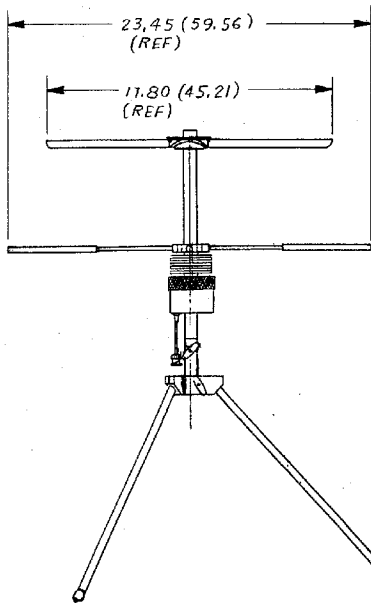


SPECIFICATIONS

- FREQUENCY : 240 TO 400 MHZ
- VSWR : 1.5:1 OR LESS
- IMPEDANCE : 50 OHMS
- POLARIZATION : RIGHT HAND CIRCULAR
- GAIN (Nominal):
 - AV 2040-3 : +7.0 dBic (240 to 400 MHZ) Basic Configuration
 - AV 2040-1 : +9.0 dBic (240 to 400 MHZ) Enhanced Configuration
 - AV 2040-2 : +11.0 dBic (240 to 318 MHZ) Enhanced Configuration
- AXIAL RATIO : 3 dB MAX @ 3 dB BEAMWIDTH
- POWER : 200 WATTS
- CONNECTOR : BNC MALE
- CABLES : BNC FEMALE AND BNC MALE
- WEIGHT : 6.3 LBS MAX
- WIND LOADING : Tested to 80 MPH
- TEMPERATURE :
 - OPERATING : -25 TO 180 DEGREES F
 - NON-OPERATING : -54 TO 250 DEGREES F
- DEPLOYMENT : 30 SECONDS OR LESS
- DROP TEST : OPERATION IS NOT DEGRADED WHEN DROPPED FROM A HEIGHT OF 4 FT IN A STORED CONFIGURATION.
- IMMERSION : OPERATIONAL AFTER IMMERSION IN FOUR (4) FEET OF WATER FOR A PERIOD OF FOUR (4) HOURS.
- FINISH : BLACK COLOR

Notes:

- The AV 2040 series antenna system is an enhanced version of currently available portable UHF satellite communication antenna. In its basic configuration, the AV 2040 series is deployed and stowed in a manner similar to NSN 5958-01-128-6418, 5985-01-202-9911, and 5985-01-149-2576 antennas but with superior performance characteristics. In its enhanced configuration, two (2) director assemblies are added to provide a nominal gain of +9 or 11 dBic, a +3 dB nominal gain improvement over existing designs. No tools are required for deployment. All assemblies can be stowed on a standard carrying case (4.75" dia by 18.5" long).
- The AV 2040 antennas are tested in accordance with Trivec-Avant Corporation ATP2040.



1	1	1	8	2040-105-1	CABLE ASSEMBLY W/ N TO BNC ADAPTER
0	2	0	7	2040-103	DIRECTOR ASSEMBLY
1	1	1	6	2040-107	INSTRUCTION MANUAL
1	1	1	5	2040-106	CARRYING CASE (OPTIONAL)
1	1	1	4	2040-105	CABLE ASSEMBLY
1	1	1	3	2040-104	TRIPOD ASSEMBLY
0	0	2	2	2040-102	DIRECTOR ASSEMBLY
1	1	1	1	2040-101	BASIC ANTENNA CONFIGURATION

AV 2040-3	AV 2040-2	AV 2040-1	QTY REQ'D	ITEM	QTY REQ'D	PART OR IDENTIFYING NO.	NOMENCLATURE OR DESCRIPTION	MATERIAL SPECIFICATION
PARTS LIST								
CONTRACT NO.				TRIVEC-AVANT CORPORATION				
				17831 Jamestown Lane, Huntington Beach, California 92647				
APPROVALS				DATE	TITLE			
DRAWN: VINH				891121	PORTABLE UHF SATELLITE COMMUNICATION ANTENNA			
CHECKED: [Signature]				11/1/89	SIZE	FSCM NO.	DWG. NO.	REV.
ISSUED:					C	60188	AV 2040-()	E
APPLICATION				DO NOT SCALE DRAWING		SCALE	SHEET 1 OF 1	

REVISIONS				
ZONE	REV.	DESCRIPTION	DATE	APPROVED
A		REDRAWN	891020	VINH
B		UPDATE SPEC & PART LIST	891121	VINH
C		ADD ITEM 8 DCN 21	010619	VINH, FA
D		UPDATE DWG DCN 63	011011	VINH, FA
E		UPDATE DWG DCN 98	021029	VINH, FA