

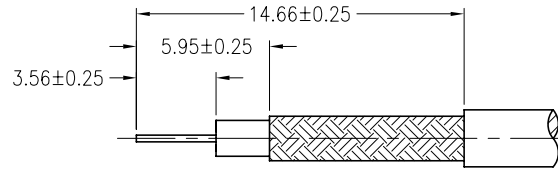
NOTES:

1. MATERIALS AND FINISHES:  
 BODY - BRASS, NICKEL PLATING  
 CONTACT - BRASS, GOLD PLATING  
 INSULATOR - PTFE, NATURAL
2. ELECTRICAL:  
 A. IMPEDANCE: 75 OHM  
 B. DIELECTRIC WITHSTANDING VOLTAGE: 1500 VRMS, MIN.
3. MECHANICAL:  
 A. DURABILITY: 500 CYCLES MIN.  
 B. TEMPERATURE RANGE: - 65°C to +165°C
4. WHEN CRIMPING CONTACT PIN TO CABLE, CRIMP WITH AMPHENOL TOOL 227-944 (M22520/5-01) AND DIE SET 227-980-7, CAVITY 'B' (OR CTL-6, .052 DIAMOND)
5. WHEN CRIMPING FERRULE TO CABLE, CRIMP WITH AMPHENOL TOOL 227-944 (M22520/5-01) AND DIE SET 227-980-7, CAVITY 'A' (OR CTL-6, .178 HEX)
6. USE WITH CABLES : RG 179 AND BELDEN 9221.

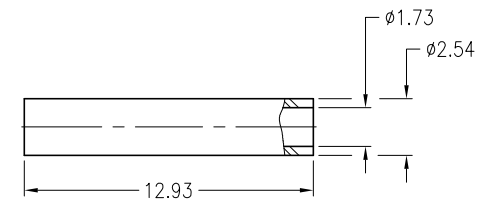
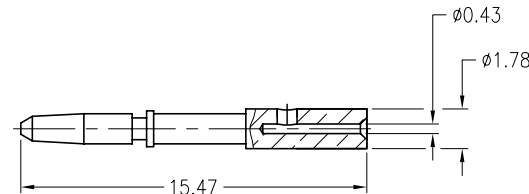
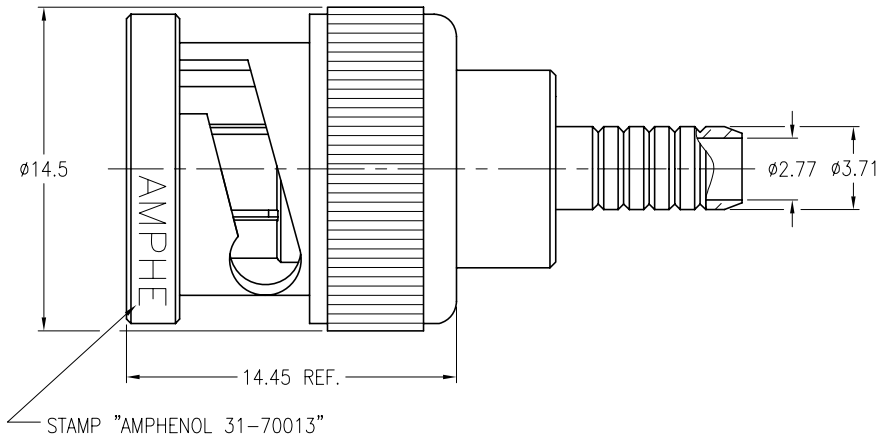
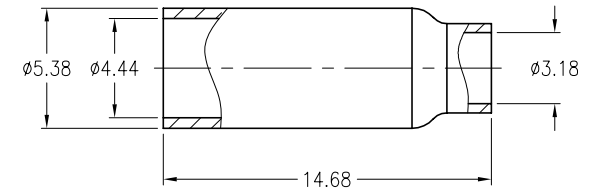
THIRD ANGLE PROJ.

REVISIONS

REV	DESCRIPTION	DATE	ECO	APPR
B	ROLLING WAS STAKE\RD-DA05091401J	14-Sep-05	--	JACK
B1	ADDED A SLOT\N/A	17-Jan-06	--	JUSTIN
C	SEE SHEET 1	14-Oct-06	--	SH
H	SEE SHEET 1	19-Feb-10	47967	SH



RECOMMENDED  
CABLE STRIPPING DIM'S



**CUSTOMER OUTLINE DRAWING**

ALL OTHER SHEETS ARE FOR INTERNAL USE ONLY

UNLESS OTHERWISE SPECIFIED, DIMENSIONS ARE IN METRIC AND TOLERANCES ARE:  
 <0.5mm 0.5 - 6mm 6 - 30mm 30 - 120mm ANGLES  
 ±0.05mm ±0.1mm ±0.2mm ± 0.3mm ±1'

NOTICE - These drawings, specifications, or other data (1) are, and remain the property of Amphenol Corp., (2) must be returned upon request; and (3) are confidential and not to be disclosed to any person other than those to whom they are given by Amphenol Corp. The furnishing of these drawings, specifications, or other data by Amphenol Corp., or to any other person to anyone for any purpose is not to be regarded by implication or otherwise in any manner licensing, granting rights or permitting such holder or any other person to manufacture, use or sell any product, process or design, patented or otherwise, that may in any way be related to or disclosed by said drawings, specifications, or other data.

MATERIAL	DRAWN	T.DENG	DATE	23-Jan-10	TITLE			Amphenol RF Danbury CT USA, Tainan Taiwan, Shenzhen China www.amphenolrf.com			
	ENGINEER	C.WANG	DATE	23-Jan-10							
	REFERENCE	APPROVED	S.HSIEH	DATE	19-Feb-10	BNC PLUG 75 OHM FOR MINITURE COAX CABLE			DRAWING NO.	31-70013	
		CAD FILE	F:\DWG\CNPD\31\70013\00-HSZ			SCALE: 3/1	SHEET	2 OF 2	ITEM NO.	31-70013	
FINISH				DWG SIZE	CODE ID	REV	PART NO.				
			B			74868			H		
									31-70013		