

TSX-1D Series

Dovetail Linear Stages



TSX-1D (M-TSX-1D)

TSX-1D Dovetail Stage offers rapid linear positioning for a variety of applications. Smooth travel is obtained with a precision dovetail slide, preloaded to provide the stability required for laboratory applications. The stage features your choice of English (1/4-20) or metric (M6) threaded mounting holes.

TSX-1D has a precision lead screw drive for coarse/fine positioning. The

stage can be securely locked in place with a convenient side-mounted thumbscrew.

The stage has two knobs for adjustment from either side, is stackable for X-Y positioning, and can be mounted to provide vertical positioning as well. TSX-1D mounts directly to tables and breadboards. Mounted on a rail, the stage provides transverse positioning.

Key Features

- *Unique preloaded dovetail slide design*
- *Rapid positioning*
- *Adjustable from two sides*
- *Thumbscrew lock design*

MANUAL LINEAR
TRANSLATION STAGES

MOTORIZED LINEAR
TRANSLATION STAGES

MANUAL ROTATION
STAGES

MOTORIZED ROTATION
STAGES

FIBER POSITIONERS

ACTUATORS

CONTROLLERS &
AMPLIFIERS

TECHNICAL REFERENCE

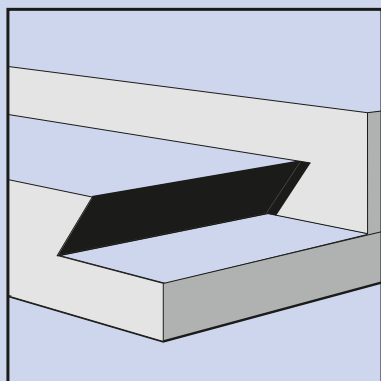
Specifications

Maximum Stage Travel [in. (mm)]	1 (25)
Sensitivity (μm)	4
Load Capacity, Centered [lb (N)]	5 (22)
Load Capacity, Vertical [lb (N)]	5 (22)

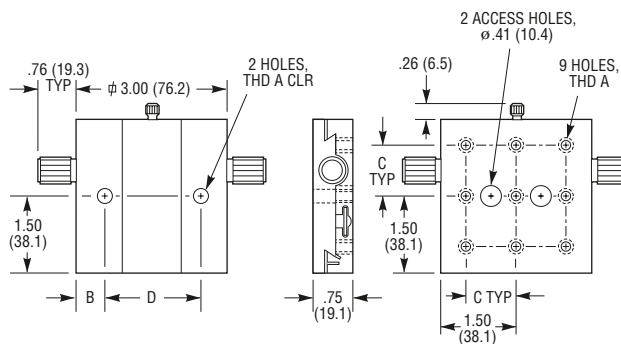
Ordering Information

Model (Metric)	Description	Price
TSX-1D (M-TSX-1D)	Dovetail Linear Stage	\$134

Model TSX-1D



Dovetail slides provide the simplest of all movements. Consists of two precision ground flat surfaces sliding against each other.



Model (Metric)	Thread		Dimension [in. (mm)]		
	A	B	C	D	
TSX-1D (M-TSX-1D)	1/4-20 (M6)	0.50 (13.1)	1.00 (25.0)	2.00 (50.0)	